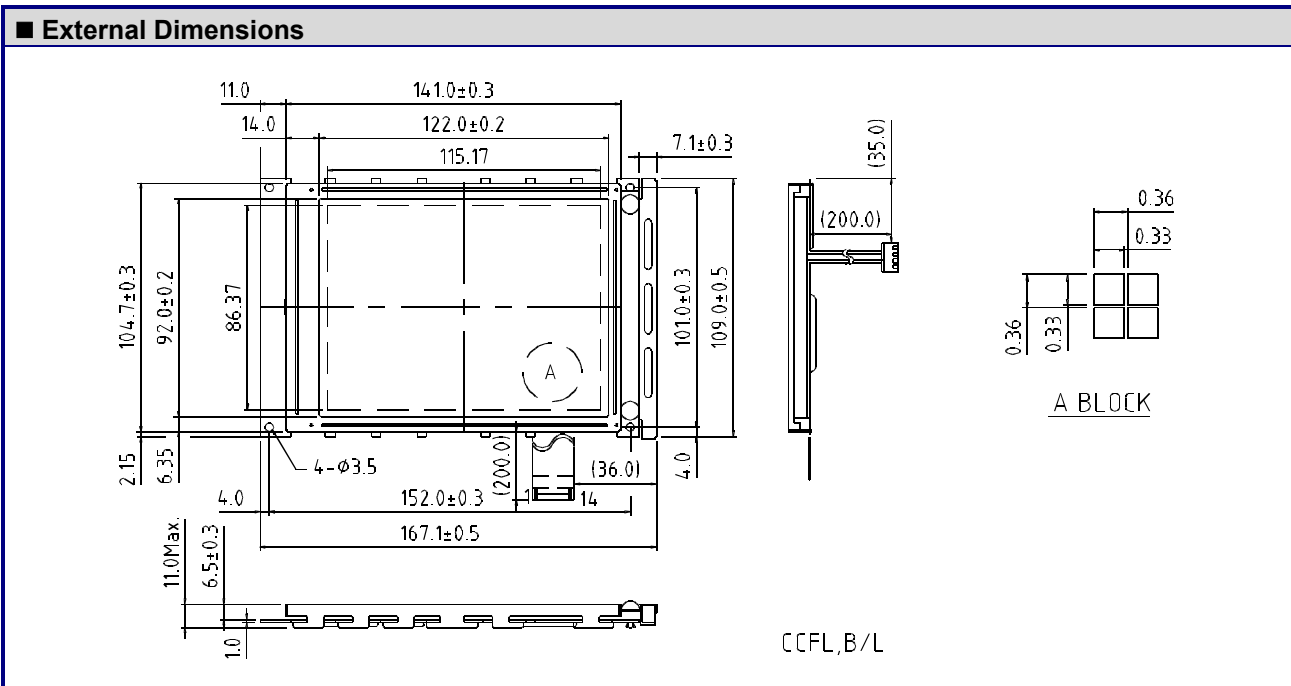


RG322401 320 X 240 Dots

■ Mechanical Data		
Item	Standard Value	Unit
Module Size	167.1(W) x 109.0(H) x 11.0 (T)	mm
Viewing Area	122.0(W) x 92.0 (H)	mm
Dot Pixels	320 x 240	dots
Dot Size	0.33 x 0.33	mm
Dot Pitch	0.36 x 0.36	mm



■ Pin Assignment

No.	Symbol	Level	Function
1.	UD0	H/L	Display Data
2.	UD1		
3.	UD2		
4.	UD3		
5.	DISP OFF	H/L	H : ON L: OFF
6.	FRAME	H	First line market
7.	NC	--	
8.	LOAD	H•L	Data latch
9.	CP	H•L	Data shift
10.	V _{DD}	--	Power supply for logic
11.	V _{SS}	--	GND
12.	V _{EE}	--	Power supply for LCD
13.	V ₀	--	Operating voltage LCD driving
14.	FGRD	--	Front panel ground

