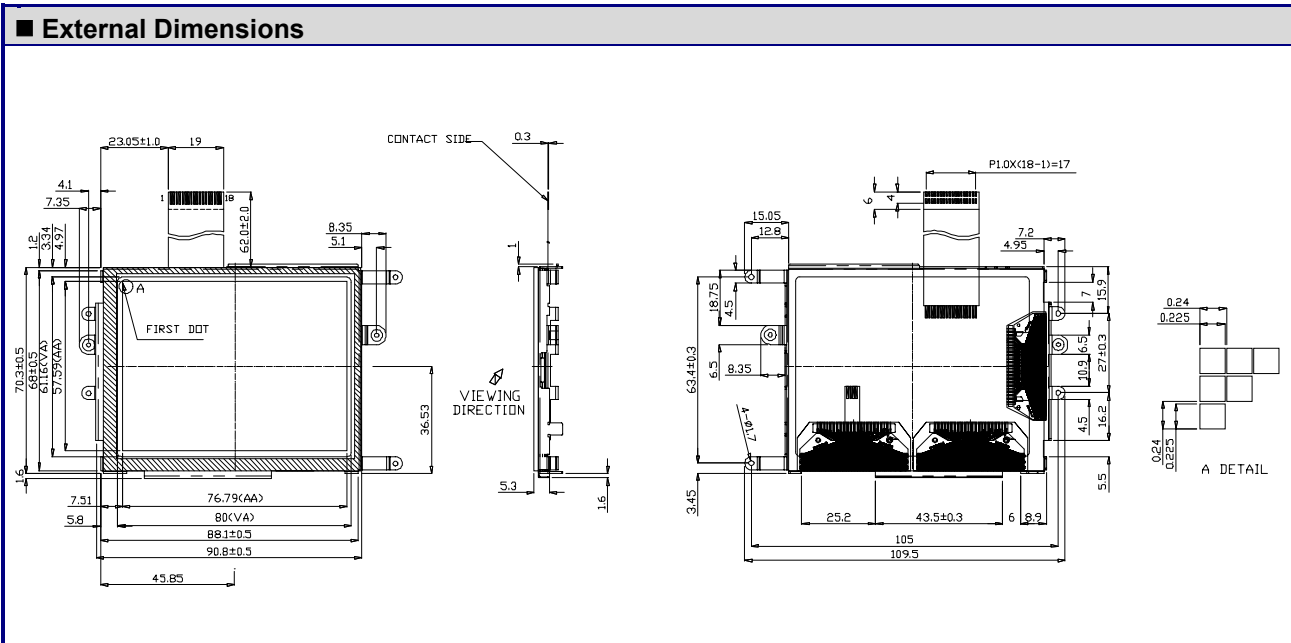


**RG243201 240 X 320 Dots**

■ Mechanical Data		
Item	Standard Value	Unit
Module Size	109.5(W) x 63.4(H) x 7.9(T)	mm
Viewing Area	80(W) x 61.16 (H)	mm
Dot Pixels	240 x 320	dots
Dot Size	0.225 x 0.225	mm
Dot Pitch	0.015 x 0.015	mm



■ Pin Assignment

No.	Symbol	Level	Function
1.	CL2 (SCP)	--	Data Shift Pulse
2.	CL1 (LP)	--	Data Latch Pulse
3.	FLM	--	Scan Star-Up Signal
4.	M (N/C)	--	Frame Reverse Signal (Alternate Signal)
5 ~8	DB0 ~DB3	--	Display Data Bus Line
9.	V <sub>EE</sub>	--	Power Supply for LCD (+)
10.	V <sub>DD</sub>	--	Power supply for logic
11.	V <sub>SS</sub>	--	Power supply (0V)
12.	DISP	--	Display off
13.	V <sub>ELG</sub>	--	Power Supply for EL (GND,0V)
14.	V <sub>EL</sub>	--	Power Supply for EL (+)
15.	XL	--	Pin for Touch panel
16.	YU	--	Pin for Touch panel
17.	XR	--	Pin for Touch panel
18.	YD	--	Pin for Touch panel

