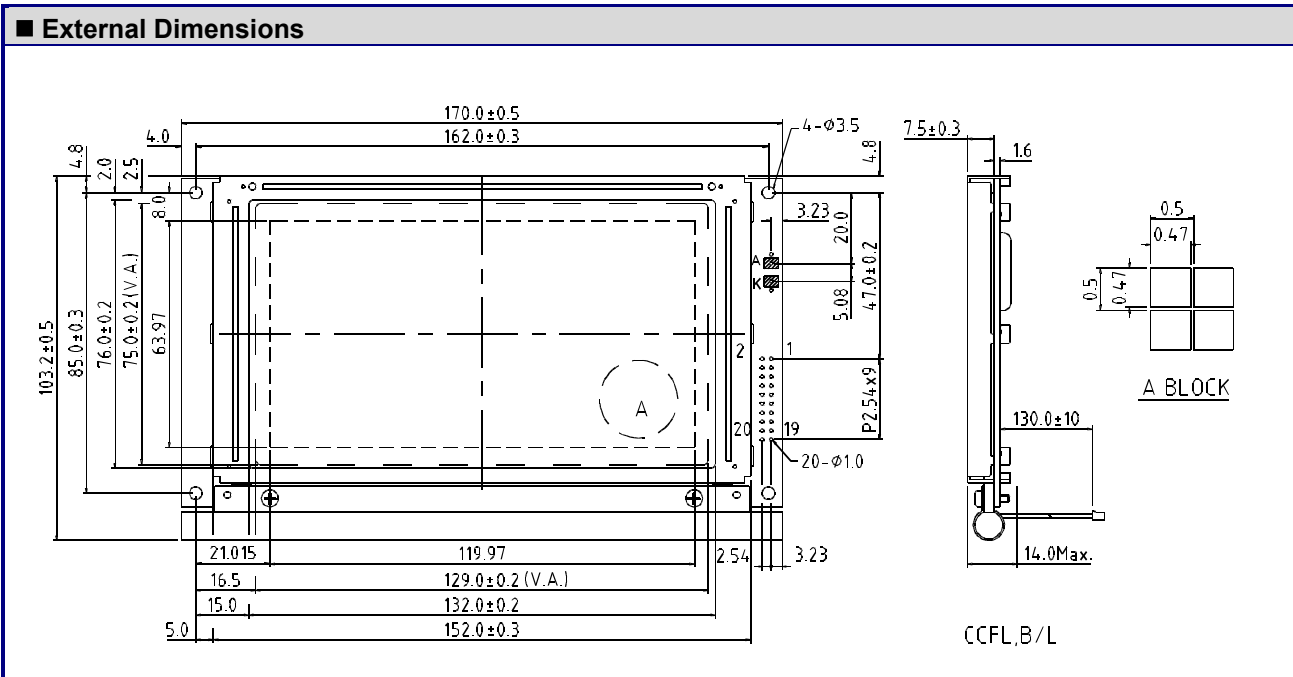


RG241281 240 X 128 Dots

Mechanical Data		
Item	Standard Value	Unit
Module Size	170.0(W) x 103.2(H) x 14.0(T)	mm
Viewing Area	129.0(W) x 75.0 (H)	mm
Dot Pixels	240 x 128	dots
Dot Size	0.47 x 0.47	mm
Dot Pitch	0.50 x 0.50	mm



**Pin Assignment**

No.	Symbol	Level	Function
1.	FGND		Frame ground
2.	V <sub>SS</sub>		Ground potential (Logic)
3.	V <sub>DD</sub>		Power supply for Logic & LCD(+)
4.	V <sub>EE</sub>		Power supply for LCD(-)
5.	WR		Data write
6.	RD		Data read
7.	CE		Chip enable
8.	C/D		Code/data
9.	NC		No connection
10.	/RESET		Controller Reset
11-18	DB0-DB7		Data bus line
19	FS		Font select
20	RV		Reverse data in

