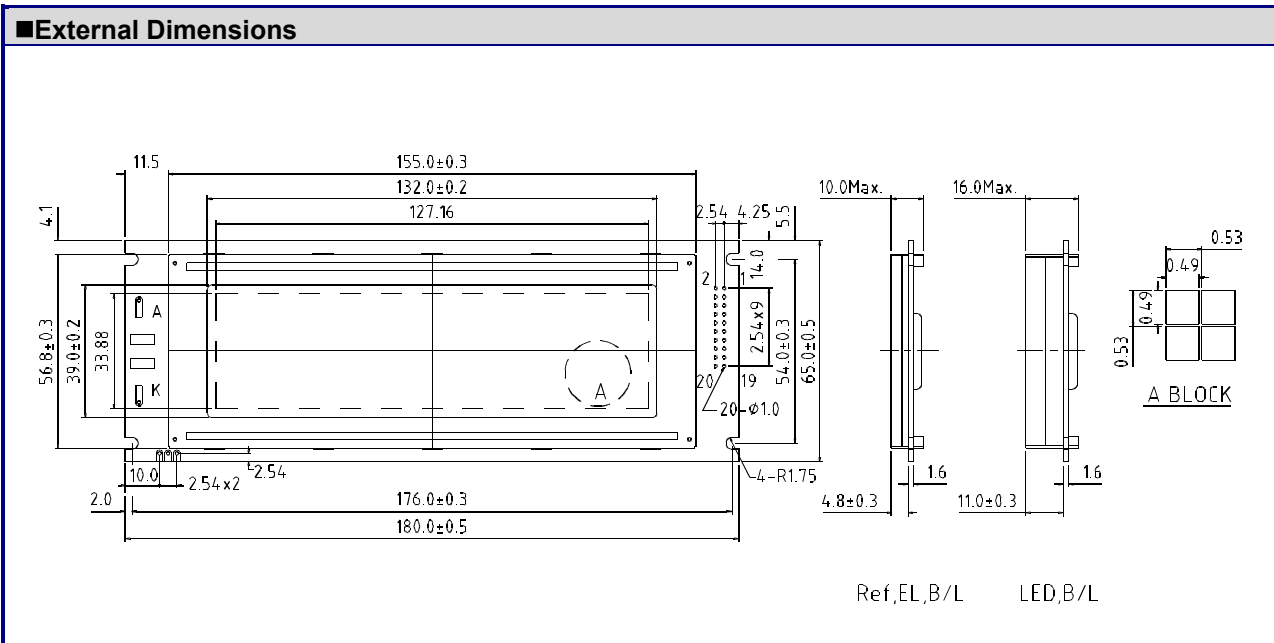


RG240641 240 x 64 Dots

■Mechanical Data		
Item	Standard Value	Unit
Module Size	180.0(W) x 65.0(H) x 10.0(T)	mm
Viewing Area	132.0(W) x 39.0 (H)	mm
Dot Pixels	240 x 64	dots
Dot Size	0.49 x 0.49	mm
Dot Pitch	0.53 x 0.53	mm



■Pin Assignment

No.	Symbol	Level	Function
1.	FGND		Frame ground (connected to bezel)
2.	V _{SS}		Power supply (0V, GND)
3.	V _{DD}		Power supply for Logic
4.	V _{EE}		Power supply for LCD drive
5.	WR	input	Data write
6.	RD	input	Data read
7.	CE	input	Chip enable
8.	C/D	Input	Code/data
9.	NC	--	No connection
10.	RESET	input	Reset Signal ('L' Reset)
11~18	DB0-DB7	I/O	Data bus line
19	FS	Input	Font select
20	NC	--	No connection

