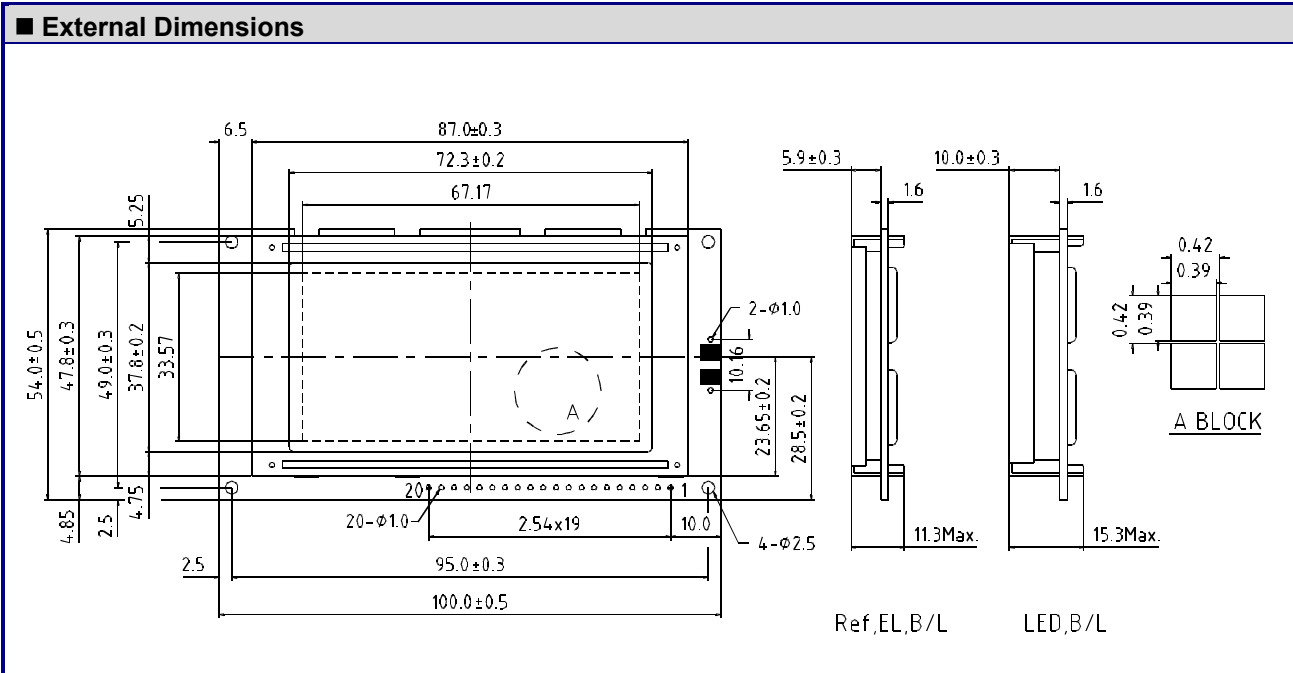


RG160801 160 X 80 Dots

■ Mechanical Data		
Item	Standard Value	Unit
Module Size	100.0(W) x 54.0(H) x 11.3(T)	mm
Viewing Area	72.3(W) x 37.8(H)	mm
Dot Pixels	160 x 80	dots
Dot Size	0.39 x 0.39	mm
Dot Pitch	0.42 x 0.42	mm



■ Pin Assignment

No.	Symbol	Level	Function
1	V _{SS}	--	Ground
2	V _{DD}	--	Power Supply for Logic Circuit
3	V ₀	--	Power Supply for LCD
4	RS	H/L	H: Instruction , L: Data
5	R/W	H/L	H: Data Read L: Data Write
6	E	H/L	Enable
7~14	DB0~DB7	H/L	Data Bus Line
15	CS	L	Chip Enable Active "L"
16	RES	L	Reset Active "L"
17	V _{EE}	--	Negative Voltage Output(-10V)
18	NC	--	No connection
19	LED A	--	Power supply for LED
20	LED K	--	Power supply for LED

