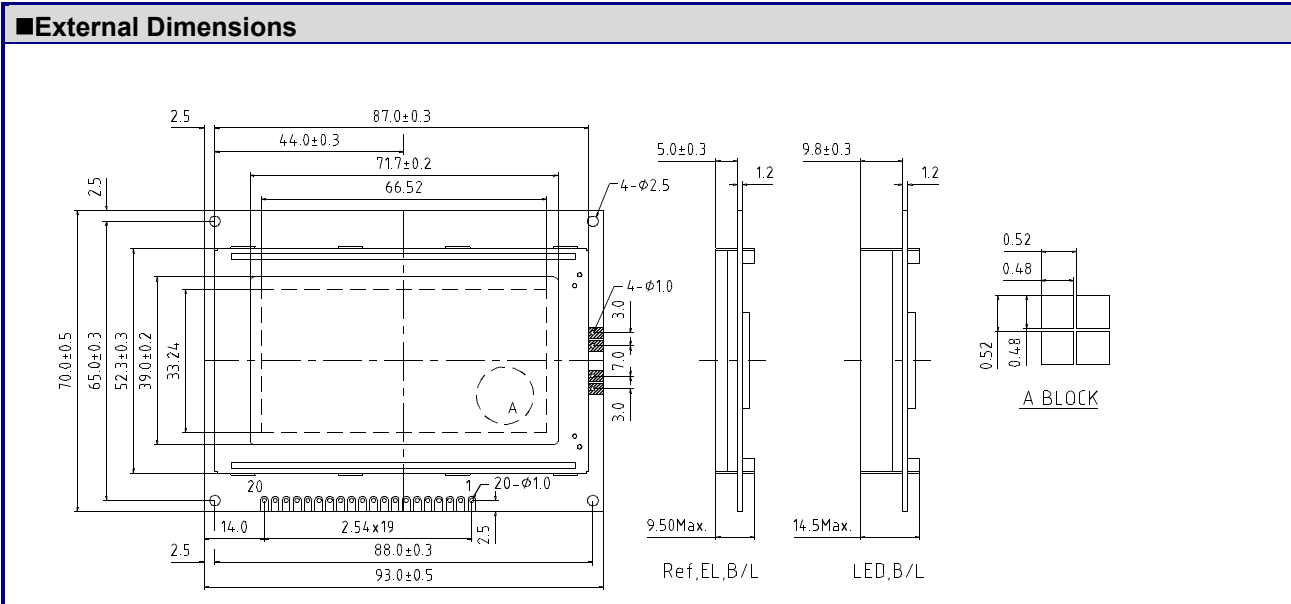


RG-128643 128 X 64 Dots

Mechanical Data		
Item	Standard Value	Unit
Module Size	93.0(W) x 70.0(H) x 9.5(T)	mm
Viewing Area	71.7(W) x 39.0(H)	mm
Dot Pixels	128 x 64	dots
Dot Size	0.48 x 0.48	mm
Dot Pitch	0.52 x 0.52	mm



Pin Assignment

No.	Symbol	Level	Function
1	V _{SS}	--	Ground
2	V _{DD}	--	Power Supply for Logic Circuit
3	V ₀	--	Power Supply for LCD Driving
4	D/I	H/L	H: Data Input L: Instruction Code Input
5	R/W	H/L	H: Data Read (LCD) Module→MPU L: Data Write (LCD) Module←MPU
6	E	H/L	Enable Signal
7~14	DB0~DB7	H/L	Data Bus Line
15	CS1	H	Chip Selection for IC1
16	CS2	H	Chip Selection for IC2
17	RST	L	Reset
18	V _{EE}	--	Negative Voltage Output(-10V)
19	LED A	--	Power supply for LED
20	LED K	--	Power supply for LED

