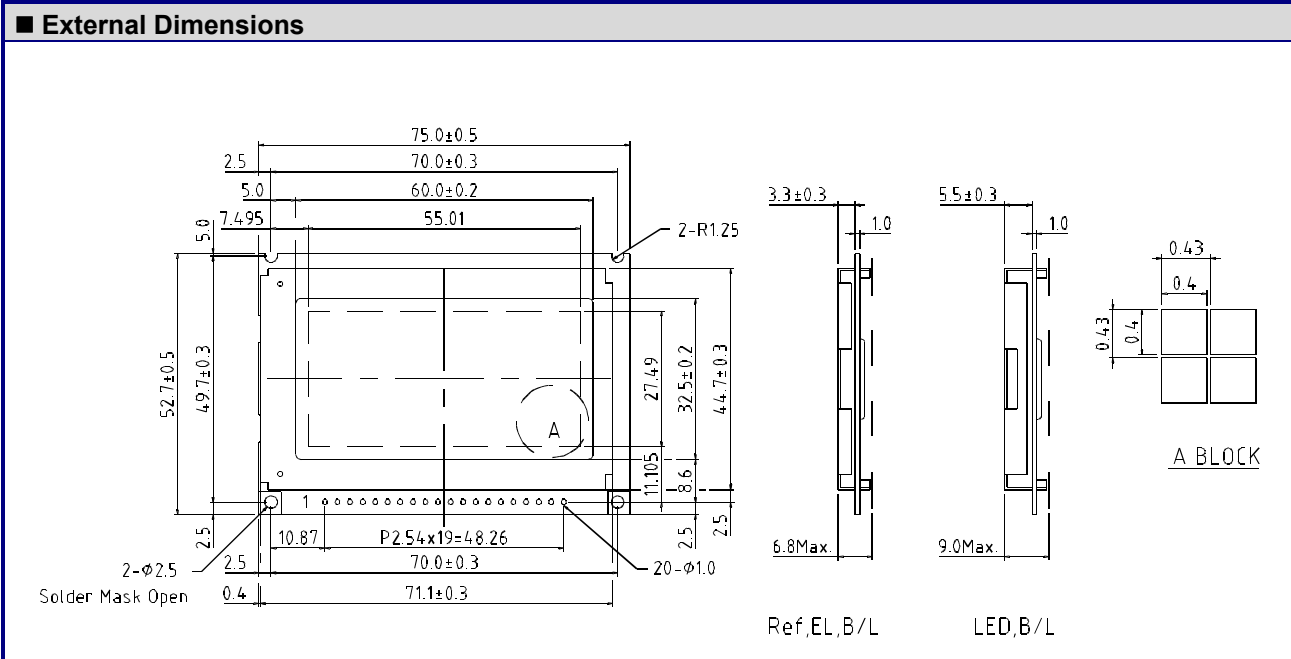


**RG128642 128 X 64 Dots**

■ Mechanical Data		
Item	Standard Value	Unit
Module Size	75.0(W) x 52.7(H) x 6.8(T)	mm
Viewing Area	60.0(W) x 32.5(H)	mm
Dot Pixels	128 x 64	dots
Dot Size	0.40 x 0.40	mm
Dot Pitch	0.43 x 0.43	mm



■ Pin Assignment

No.	Symbol	Level	Function
1	V <sub>DD</sub>	--	Power Supply for Logic (+5V)
2	V <sub>SS</sub>	--	GND(0V)
3	V <sub>LCD</sub>	--	LCD Drive Voltage(-8V)
4~11	DB0~DB7	H/L	Data Bus Line
12	/CS1	H	Chip Selection For IC1(U2)
13	/CS2	H	Chip Selection For IC2(U3)
14	/RST	L	Reset
15	R/W	H/L	H: Data Read L: Data Write
16	D/I	H/L	H: Data Input L: Instruction Code Input
17	E	H, H-L	Enable Signal
18	FGND	--	Frame GND (0V)
19	LEDA	--	Power Supply for LED
20	LEDK	--	Power Supply for LED

