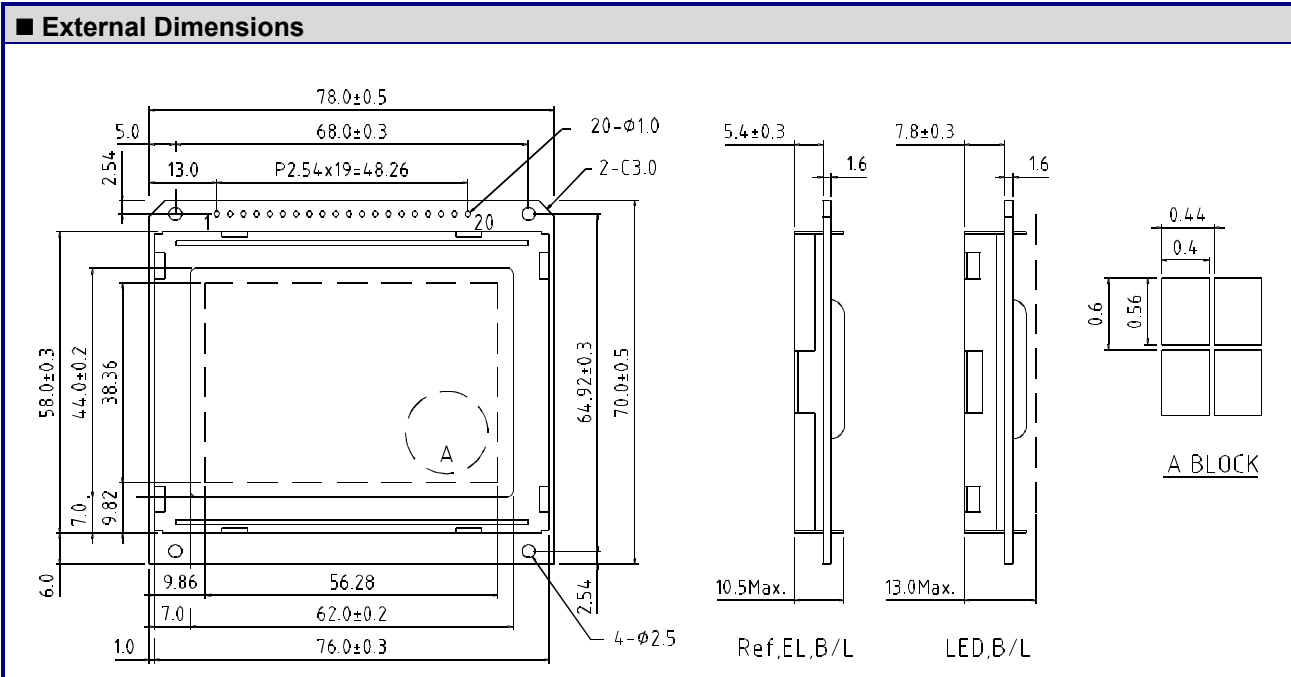


**RG128641 128 X 64 Dots**

Mechanical Data		
Item	Standard Value	Unit
Module Size	78.0(W) x 70.0(H) x 10.5 (T)	
Viewing Area	62.0(W) x 44.0(H)	mm
Dot Pixels	128 x 64	dots
Dot Size	0.40 x 0.56	mm
Dot Pitch	0.44 x 0.6	mm



**Pin Assignment**

No.	Symbol	Level	Function
1	FG	--	Frame Ground
2	V <sub>SS</sub>	--	Ground
3	V <sub>DD</sub>	--	Power Supply for Logic & LCD(+)
4	V <sub>EE</sub>	--	Power Supply for LCD(-)
5	/WR	H/L	Data Write
6	/RD	H/L	Data Read
7	/CE	INPUT	Chip Enable
8	C/D	INPUT	Code/ Data
9	/RST	L	Reset
10~17	DB0~DB7	H/L	Data Bus Line
18	FS	INPUT	Font Size Select H=6x8 L=8x8
19	LEDA	--	LED Power Supply
20	LEDK	--	LED Power Supply

