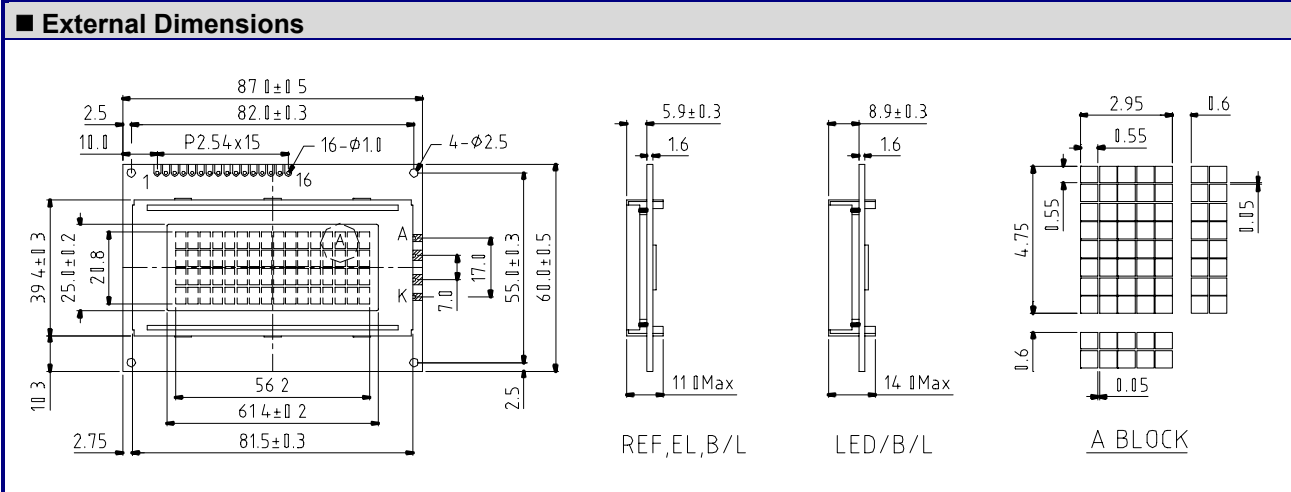


**RC164001 16 characters x 4 lines**

■ Mechanical Data		
Item	Standard Value	Unit
Module Dimensions	87.0(W) X 60.0(H) X 11.0 (D)	mm
Viewing Area	61.4(W) X 25.0(H)	mm
Dot Size	0.55(W) X 0.55(H)	mm
Dot Pitch	0.60(W) X 0.60(H)	mm



■ Pin Assignment

No.	Symbol	Function	No.	Symbol	Function
1	V <sub>SS</sub>	GND,0V	9	DB2	Data Bus Line
2	V <sub>DD</sub>	+5V	10	DB3	Data Bus Line
3	V <sub>EE</sub>	For LCD Drive	11	DB4	Data Bus Line
4	RS	Function select	12	DB5	Data Bus Line
5	R/W	Read/Write	13	DB6	Data Bus Line
6	E	Enable signal	14	DB7	Data Bus Line
7	DB0	Data Bus Line	15	LED A	LED power supply
8	DB1	Data Bus Line	16	LED K	LED power supply

