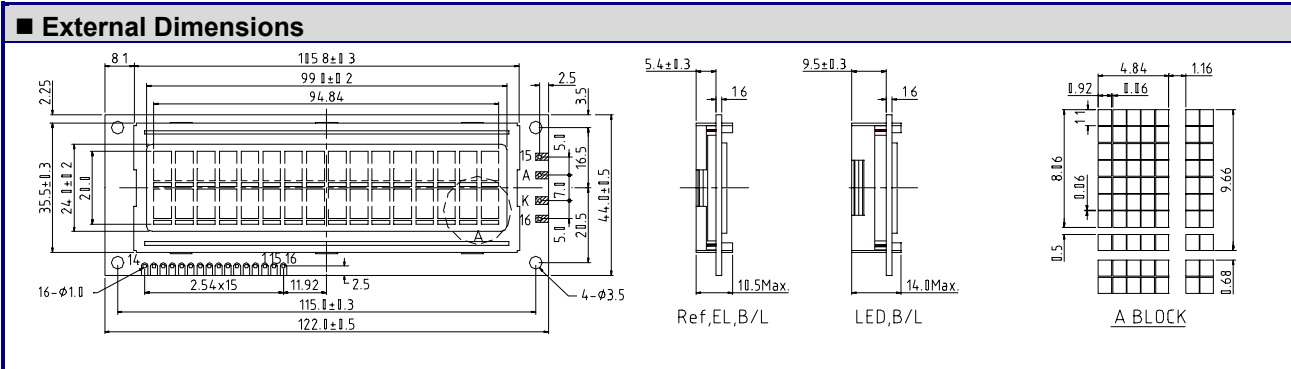


RC162003 16 characters x 2 lines

■ Mechanical Data		
Item	Standard Value	Unit
Module Dimensions	122.0(W) X 44.0(H) X 10.5 (D)	mm
Viewing Area	99.0(W) X 24.0(H)	mm
Dot Size	0.92(W) X 1.10(H)	mm
Dot Pitch	0.98(W) X 1.16(H)	mm



■ Pin Assignment

No.	Symbol	Function	No.	Symbol	Function
1	V _{SS}	GND, 0V	9	DB2	Data Bus Line
2	V _{DD}	+5V	10	DB3	Data Bus Line
3	V _{EE}	For LCD Drive	11	DB4	Data Bus Line
4	RS	Function Select	12	DB5	Data Bus Line
5	R/W	Read/Write	13	DB6	Data Bus Line
6	E	Enable Signal	14	DB7	Data Bus Line
7	DB0	Data Bus Line	15	LED A	LED power supply
8	DB1	Data Bus Line	16	LED K	LED power supply

