

### FEATURES:

- Special Design Available
- Low Current Requirements
- High Light Output
- Easy Key Code

### ABSOLUTE MAXIMUM RATINGS, $T_a = 25^\circ\text{C}$

|  |                     |
|--|---------------------|
| Reverse voltage per led chip.....  | 5.0 V               |
| D.C Forward current per led chip.....                                    | 30 mA               |
| Pulse current. ( 1.10 duty cycle , 0.1 ms pulse width) per led chip..... | 100mA               |
| Operating temperat. range.....   | -25°C to + 85°C     |
| Storage temperat. range.....   | -25°C to + 100°C    |
| Lead soldering temp. ....  | 260°C for 5 seconds |

### ELECTRICAL / OPTICAL CHARACTERISTICS AT $T_a = 25^\circ\text{C}$

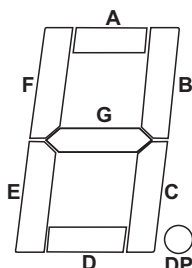
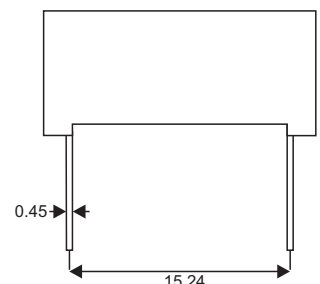
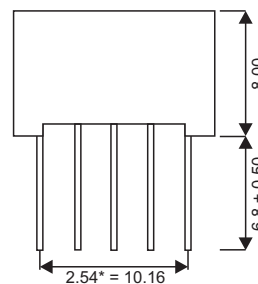
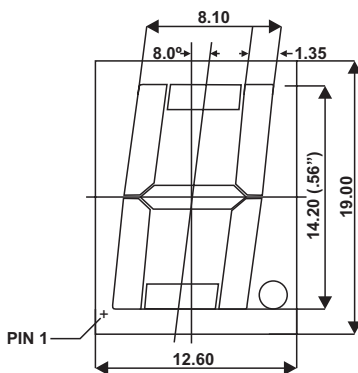
| PART NUMBER<br>COMMON CATHODE | PART NUMBER<br>COMMON ANODE | LED CHIP MATERIAL | LED CHIP EMITT. COLOR | SURFACE COLOR | SEGM. OR DOT COLOR | PEAK WAVE LENG. 20mA | FORWARD VOLTAGE Vf 20mA (V) TIP MAX | LUMIN. INTENS. 10 mA (mcd) MIN TYP |
|-------------------------------|-----------------------------|-------------------|-----------------------|---------------|--------------------|----------------------|-------------------------------------|------------------------------------|
| OPD 561HR2CGW                 | OPD 561HR2AGW               | GaAsP GAP         | HI RED                | GRAY          | WHITE              | 635                  | 1.8 2.3                             | 1.8 2.4                            |
| OPD 561SR3CGW                 | OPD 561SR3AGW               | GaAlAs GaAs       | SUPER RED             | GRAY          | WHITE              | 660                  | 1.8 2.4                             | 5.2 6.0                            |
| OPD 561G1CGW                  | OPD 561G1AGW                | GaP               | GREEN                 | GRAY          | WHITE              | 570                  | 2.1 2.8                             | 1.8 2.4                            |
| OPD 561O2CGW                  | OPD 561O2AGW                | GaAsP GAP         | ORANGE                | GRAY          | WHITE              | 630                  | 2.0 2.8                             | 1.8 2.4                            |

\*SPECIFICATIONS ARE SUBJECT TO CHANGE

\*THE PN s ABOVE MEANS STANDART VERSION, (SURFACE GRAY AND WHITESEGMENT).

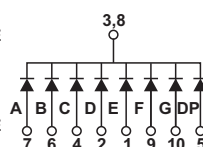
NOTE: ALL DIMENSIONS ARE IN mm, TOLERANCE IS +/-0.25mm, UNLESS OTHERWISE NOTED. THE SLOPE ANGLE OF ANY PIN MAY BE +/- 5.0 MAX.

### PACKAGE DIMENSIONS AND PIN FUNCTION



### PIN CONNECTION

- C.C
- 1 ANODE E
  - 2 ANODE D
  - 3 COMMON CATHODE
  - 4 ANODE C
  - 5 ANODE DP
  - 6 ANODE B
  - 7 ANODE A
  - 8 COMMON CATHODE
  - 9 ANODE F
  - 10 ANODE G



- C.C
- 1 CATHODE E
  - 2 CATHODE D
  - 3 COMMON ANODE
  - 4 CATHODE C
  - 5 CATHODE DP
  - 6 CATHODE B
  - 7 CATHODE A
  - 8 COMMON ANODE
  - 9 CATHODE F
  - 10 CATHODE G

