

FEATURES:

- Special Design Available
- Low Current Requirements
- High Light Output
- Easy Key Code

ABSOLUTE MAXIMUM RATINGS, $T_a = 25^\circ\text{C}$

Reverse voltage per led chip.....	5.0 V
D.C Forward current per led chip.....	30 mA
Pulse current. (1.10 duty cycle , 0.1 ms pulse width) per led chip.....	100mA
Operating temperat. range.....	-25°C to + 85°C
Storage temperat. range.....	-25°C to + 100°C
Lead soldering temp.	260°C for 5 seconds

ELECTRICAL / OPTICAL CHARACTERISTICS AT $T_a = 25^\circ\text{C}$

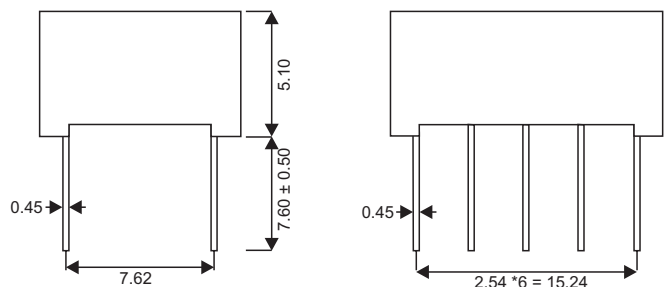
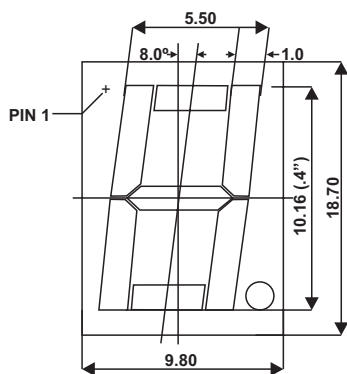
PART NUMBER COMMON CATHODE	PART NUMBER COMMON ANODE	LED CHIP MATERIAL	LED CHIP EMITT. COLOR	SURFACE COLOR	SEGM. OR DOT COLOR	PEAK WAVE LENG. 20mA	FORWARD VOLTAGE V_f 20mA (V) TIP MAX	LUMIN. INTENS. 10 mA (mcd) MIN TYP
OPD 401HR2CGW	OPD 401HR2AGW	GaAsP GaP	HI RED	GRAY	WHITE	635	1.8 1.3	1.8 2.2
OPD 401SR3CGW	OPD 401SR3AGW	GaAlAs GaAs	SUPER RED	GRAY	WHITE	660	1.8 2.4	4.8 5.5
OPD 401G1CGW	OPD 401G1AGW	GaP	GREEN	GRAY	WHITE	570	2.1 2.8	1.8 2.2
OPD 401O2CGW	OPD 401O2AGW	GaAsP GaP	ORANGE	GRAY	WHITE	630	2.0 2.8	1.8 2.3

*SPECIFICATIONS ARE SUBJECT TO CHANGE

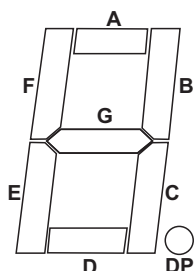
*THE PN s ABOVE MEANS STANDART VERSION, (SURFACE GRAY AND WHITE SEGMENT).

NOTE: ALL DIMENSIONS ARE IN mm, TOLERANCE IS +/-0.25mm, UNLESS OTHERWISE NOTED. THE SLOPE ANGLE OF ANY PIN MAY BE +/- 5.0 MAX.

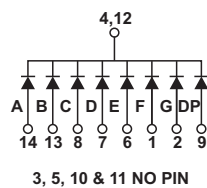
PACKAGE DIMENSIONS AND PIN FUNCTION



PIN CONNECTION



- C.C
- 1 ANODE F
 - 2 ANODE G
 - 3 NO PIN
 - 4 COMMON CATHODE
 - 5 NO PIN
 - 6 ANODE E
 - 7 ANODE D
 - 8 ANODE C
 - 9 ANODE DP
 - 10 NO PIN
 - 11 NO CONNECTION
 - 12 COMMON CATHODE
 - 13 ANODE B
 - 14 ANODE A



- C.A
- 1 CATHODE A
 - 2 CATHODE F
 - 3 COMMON ANODE
 - 4 NO PIN
 - 5 NO PIN
 - 6 NO CONNECTION
 - 7 CATHODE E
 - 8 CATHODE D
 - 9 CATHODE C
 - 10 CATHODE C
 - 11 CATHODE G
 - 12 NO PIN
 - 13 CATHODE B
 - 14 COMMON ANODE

