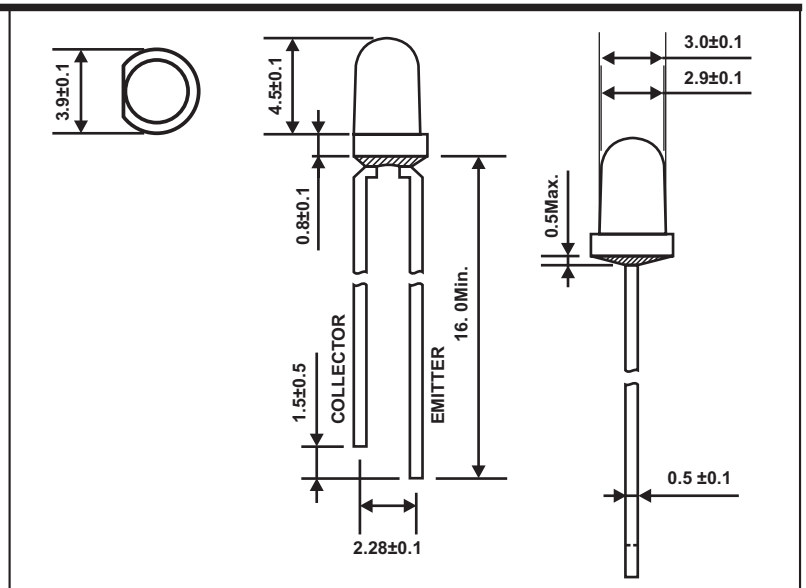


- PHOTO TRANSISTOR
- Water Clear Lens



ABSOLUTE MAXIMUM RATING

($T_a = 25^\circ\text{C}$)

PARAMETER	MAX. RATINGS
Collector-to-Emitter Breakdown Voltage	30V
Emitter-to-Collector Breakdown Voltage	5V
Power Dissipation at(or below) 25°C Free Air Temperature	100mW
Operating Temperature Range	$-25^\circ\text{C} \sim +85^\circ\text{C}$
Storage Temperature Range	$-25^\circ\text{C} \sim +85^\circ\text{C}$
Lead Soldering Temperature	260°C

ELECTRO-OPTICAL CHARACTERISTICS

($T_a = 25^\circ\text{C}$)

PARAMETER	SYMBOL	CONDITION	MAX.	TYP.	MIN.	UNIT
Collector-Emitter Breakdown Voltage	BV_{CEO}	$I_c=100\mu\text{ A}$ $I_B=0$	—	—	30	V
Emitter-Collector Breakdown Voltage	BV_{ECO}	$I_c=100\mu\text{ A}$ $I_B=0$	—	—	5	V
Collector Dark Current	I_{CEO}	$V_{CE}=10\text{V}$ $H=0\text{mW/cm}^2$	100	—	—	nA
Collector-Emitter Saturation Voltage	$V_{CE(S)}$	$I_C=2\text{mA}$ $I_B=100\mu\text{A}$	—	0.8	—	V
Rise Time	T_r	$R_L=1\text{K}\Omega$ $V_{ce}=5\text{V}$ $I_c=1\text{mA}$	—	15	—	ns
Fall Time	t_f	$R_L=1\text{K}\Omega$ $V_{ce}=5\text{V}$ $I_c=1\text{mA}$	—	15	—	ns
Angular Resp	Θ		—	± 30	—	deg