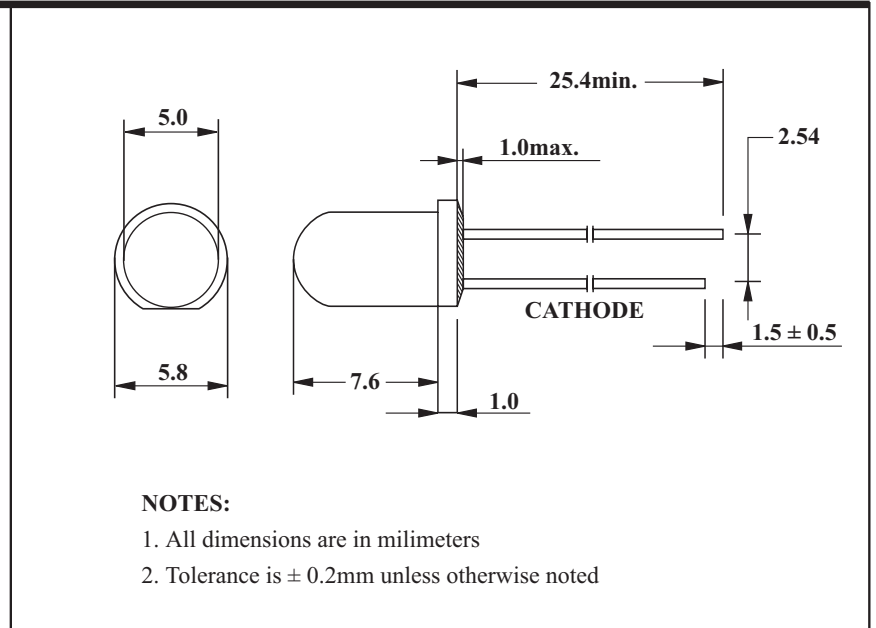


- PHOTO DIODE
- Water Clear Lens



**ELECTRO-OPTICAL CHARACTERISTICS**

(Ta = 25°C)

PARAMETER	SYMBOL	CONDITION	MAX.	TYP.	MIN.	UNIT
Reverse Breakdown Voltage	Bvr	IR=100µA H=0 mW/cm <sup>2</sup>	—	—	30	V
Reverse Dark Current	Id	Vr=10V H=0 mw/cm <sup>2</sup>	30	5	—	nA
Response Wavelength	λ p	—	—	940	—	nm
Short Circuit	ISC	H=5mw/cm <sup>2</sup> Vr=0	—	75	50	µA
Reverse Light Current	IL	H=5mw/cm <sup>2</sup> Vr=10V	—	80	50	µA
Turn On Time	Ton	RL=1KΩ VR=10V	—	45	—	ns
Turn Off Time	Toff	RL=1KΩ VR=10V	—	45	—	ns
Total Capacitance	Ct	Vr=5V f=1MHZ H=0mw/cm <sup>2</sup>	—	18	—	pF
Response Area	A	—	—	5	—	mm <sup>2</sup>