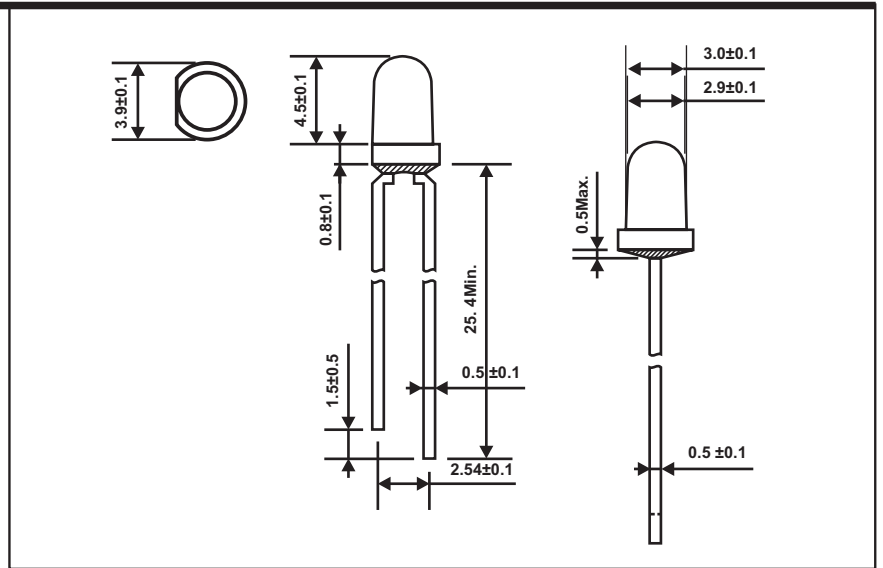


- **INFRARED EMITTING DIODE**
- Device Outline:  $\phi$  3mm Round Type
- Water Clear Lens



**ABSOLUTE MAXIMUM RATINGS**

(Ta = 25°C)

PARAMETER	SYMBOL	TESTING CONDITION	CHARACTERISTICS		UNIT
			MAX.	MIN.	
Power Dissipation	Pd	—	100	—	mW
Reverse Voltage	VR	IR = 10 $\mu$ A	—	9	V
Forward Max Current	IFM	—	60	—	mA
Operating Temperature Range	Topr	—	+80	-25	°C
Storage Temperature Range	Tstr	—	+100	-40	°C

**ELECTRO-OPTICAL CHARACTERISTICS**

(Ta = 25°C)

PARAMETER	SYMBOL	TESTING CONDITION	CHARACTERISTICS			UNIT
			MAX.	TYP.	MIN.	
Forward Voltage	VF	IF = 50mA	1.4	1.2	—	V
Reverse Current	IR	VR = 9V	10	—	—	$\mu$ A
Peak Emission Wavelength	$\lambda$ p	IF = 20mA	—	940	—	nm
Spectrum Width Of Half Value	$\Delta \lambda$	IF = 20mA	—	50	—	nm
Emitting Power	Ie	IF = 50mA	—	—	13	mW/Sr
Viewing Angle	2 $\theta$ 1/2	IF = 50mA	—	40	—	Deg.