

### Features

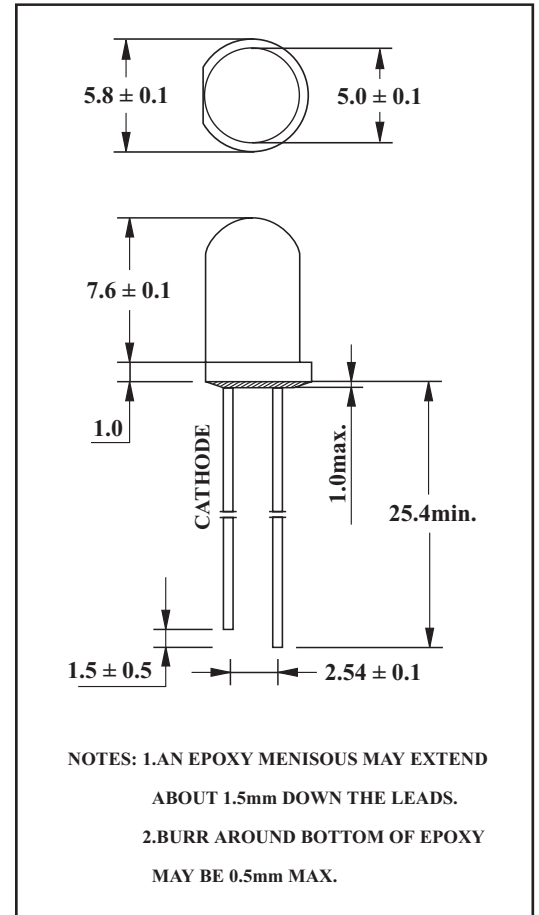
- Viewing Angle 20°
- High Light Output
- Ø5 Round Led
- Water Clear Lens

### ABSOLUTE MAXIMUM RATINGS AT Ta=25° C

ITEMS	Symbol	Value	Unit
Power Dissipation	$P_D$	120	mW
Forward Current	$I_F$	30	mA
Peak Forward Current*	$I_{FP}$	100	mA
Reverse Voltage	$V_R$	5	V
Operation Temperature	Topr	-25~75	°C
Storage Temperature	Tstg	-40~100	°C
Lead Soldering Temperature	Tsol	260°C/3s	—

\*puls width ≤ 0.1msec duty ≤ 1 / 10

### Dimensions (Unit:mm)



### ELECTRICAL/OPTICAL CHARACTERISTICS AT Ta=25°C

Forward Voltage $I_F=20\text{mA}(V)$			Reverse Current $V_R=5V(\mu A)$	Radiant Flux $(P,MW)$	
MIN.	TYP.	MAX.	MAX.	MIN.	TYP.
—	3.7	4.2	50	1.0	12