

**Part Number**

- OPL 155UY10C

**Features**

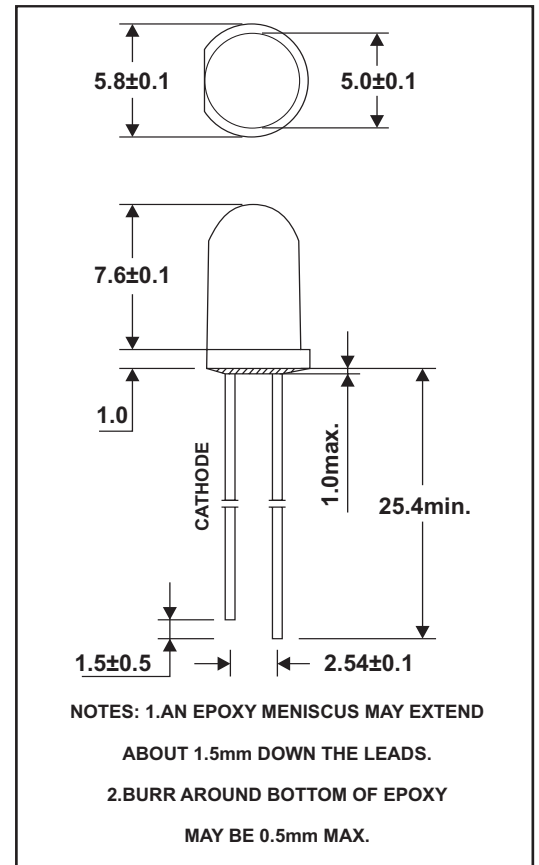
- Ultra Yellow
- Water Clear
- Viewing Angle 15°
- High Light Output

**ABSOLUTE MAXIMUM RATINGS, Ta = 25°C**

| ITEMS                      | Symbol           | Value     | Unit |
|----------------------------|------------------|-----------|------|
| Power Dissipation          | P <sub>D</sub>   | 100       | mW   |
| Forward Current            | I <sub>F</sub>   | 30        | mA   |
| Peak Forward Current*      | I <sub>FP</sub>  | 120       | mA   |
| Reverse Voltage            | V <sub>R</sub>   | 5         | V    |
| Operation Temperature      | T <sub>opr</sub> | -25 ~ 80  | C°   |
| Storage Temperature        | T <sub>stg</sub> | -40 ~ 100 | C°   |
| Lead Soldering Temperature | T <sub>sol</sub> | 260°C/3s  | —    |

\*pulse width ≤0.1 msec duty ≤1/10

**Dimensions (Unit:mm)**



**ELECTRICAL/OPTICAL CHARACTERISTICS AT Ta=25°C**

| Part Number  | Wavelength (nm) |                |    | Forward Voltage IF=20mA (V) |      |      | Reverse Current VR=5V (uA) | Luminous Intensity IF=20mA (mcd) |      |
|--------------|-----------------|----------------|----|-----------------------------|------|------|----------------------------|----------------------------------|------|
|              | λ <sub>P</sub>  | λ <sub>D</sub> | Δλ | MIN.                        | TYPE | MAX. | MAX.                       | MIN.                             | TYPE |
| OPL 155UY10C | ----            | 590            | 20 | 1.7                         | 2.25 | 2.6  | 30                         | 5000                             | 8000 |