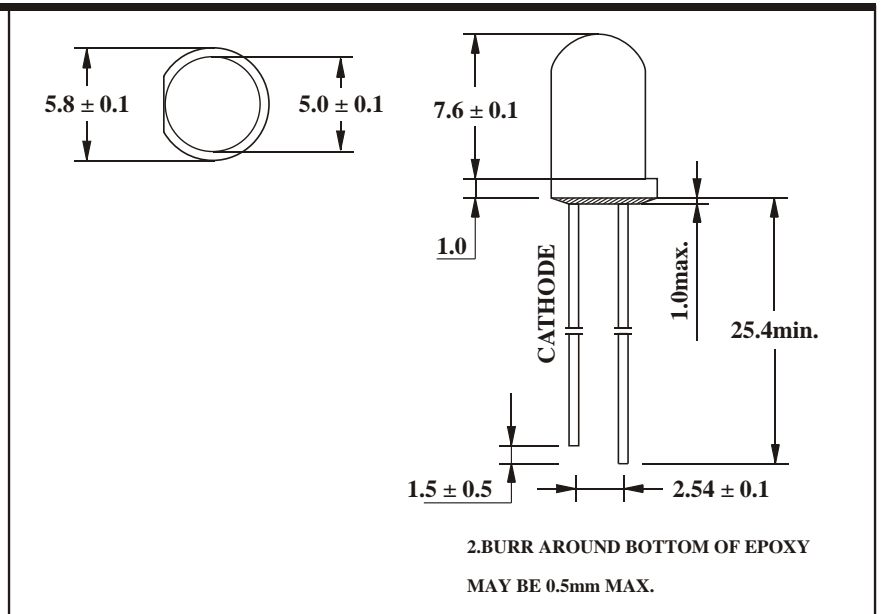


FEATURES:

- Viewing Angle 15°
- High Light Out Put
- Water Clear Lens
- 5 mm Round Led
- Amber Color



ABSOLUTE MAXIMUM RATINGS

(Ta = 25°C)

PARAMETER	SYMBOL	TESTING CONDITION	CHARACTERISTICS		UNIT
			MAX.	MIN.	
Power Dissipation	Pd	—	100	—	mW
Reverse Voltage	VR	IR = 30 μ A	—	5	V
Peak Forward Current	Ipeak	Duty = 0.1 μ kHz	120	—	mA
Operating Temperature Range	ToPr	—	+80	-25	°C
Storage Temperature Range	Tstr	—	+100	-40	°C
Lead Soldering Temperature	Tsol	260c° for 5sec. 3.0mm from (resin)			

ELECTRO-OPTICAL CHARACTERISTICS

(Ta = 25°C)

PARAMETER	SYMBOL	TESTING CONDITION	CHARACTERISTICS			UNIT
			MAX.	TYP.	MIN.	
Forward Voltage	VF	IF = 20mA	2.4	2.0	—	V
Reverse Current	IR	VR = 5V	30	—	—	μ A
Dominant Wavelength	d	IF = 20mA	620	615	610	nm
Spectrum Width Of Half Value		IF = 10mA	—	17	—	nm
Viewing Angle	2 1/2	IF = 20mA	—	15	—	Deg
Luminous Intensity	Iv	IF = 20mA	—	4500	—	mcd