

### Part No.

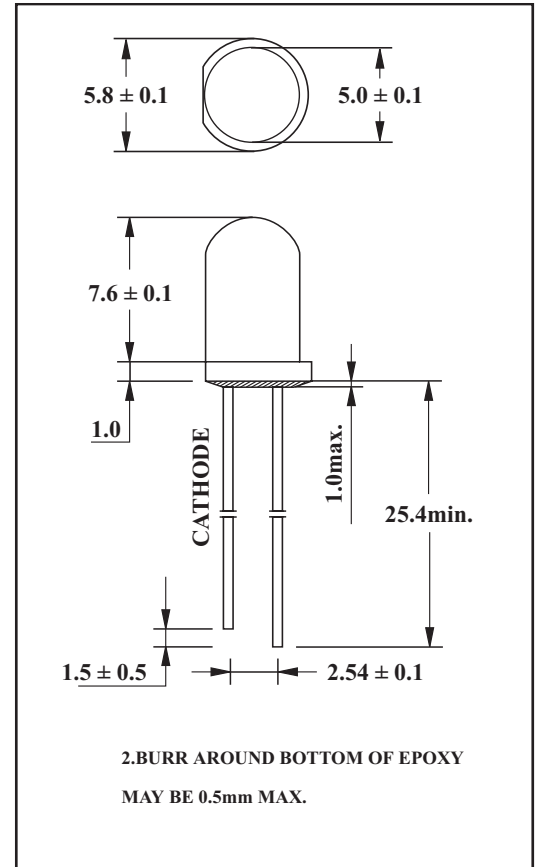
OPL 155 UR0C - 15 (Red Color)  
 OPL 155 UY0C - 15 (Yellow Color)  
 OPL 155 PG0C - 15 (Pure Green Color)  
 OPL 155 BG0C - 15 (Bluish Green Color)  
 OPL 155 PB0C - 15 (Pure Blue Color)

### Features

- Viewing angle 15°
- Water Clear Lens
- High light output

### Dimensions

(Unit:mm)



### ABSOLUTE MAXIMUM RATINGS AT Ta=25° C

ITEMS	Symbol	Value		Unit
		R	Y/G/B	
Power Dissipation	$P_D$	100	120	mW
Forward Current	$I_F$	30	30	mA
Peak Forward Current*	$I_{FP}$	200	100	mA
Reverse Voltage	$V_R$	5	5	V
Operation Temperature	$T_{opr}$	-25~75	-25~75	°C
Storage Temperature	$T_{stg}$	-40~100	-40~100	°C
Lead Soldering Temperature	$T_{sol}$	260°C/3s	260°C/3s	—

\*puls width  $\leq 0.1$ mscc duty  $\leq 1 / 10$

### ELECTRICAL/OPTICAL CHARACTERISTICS AT Ta=25°C

Part NO.	Wavelength (nm)			Forward Voltage IF=20mA(V)			Reverse Current VR=5V(uA)	Luminous Intensity IF=20mA(mcd)	
	$\lambda_p$	$\lambda_D$	$\Delta \lambda$	MIN.	TYP.	MAX.	MAX.	MIN.	TYP.
OPL155UR0C-15	632	624	20	1.7	2.0	2.5	50	1300	2500
OPL155UY0C-15	590	589	15	1.7	2.0	2.5	50	1300	2500
OPL155PG0C-15	523	525	20	—	3.7	4.3	50	1550	3500
OPL155BG0C-15	502	505	20	—	3.5	4.0	50	1450	3000
OPL155PB0C-15	470	468	26	—	3.5	4.0	50	390	600

### INTENSITY BIN GRADE

PART NO.	Q:390-550	R:550-770	S:770-1100	T:1100-1520	U: 1520-2130	V: 2130-3000	W: 3000-4180
OPL155UR0C-15				■	■	■	■
OPL155UY0C-15				■	■	■	■
OPL155PG0C-15				■	■	■	■
OPL155BG0C-15				■	■	■	■
OPL155PB0C-15	■	■	■				