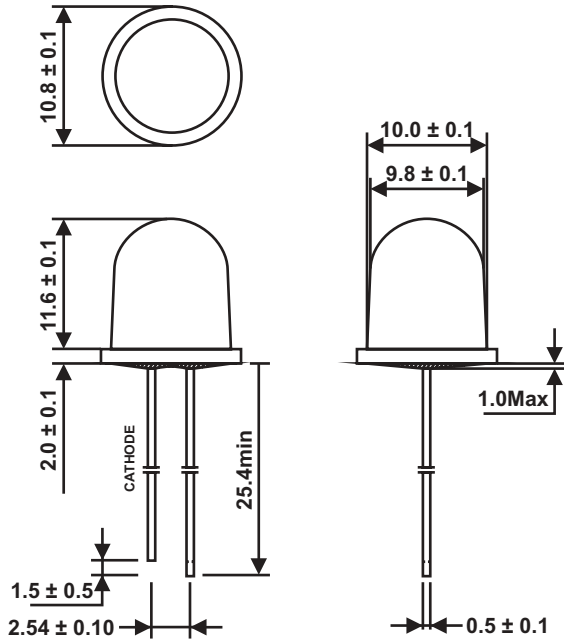


PACKAGE DIMENSIONS



ABSOLUTE MAXIMUM RATINGS, $T_a = 25^\circ \text{C}$

Reverse voltage per led chip.....	5.0 V
D.C Forward current	30 mA
Pulse current. (1.10 duty cycle , 0.1 ms pulse width).....	100mA
Operating temperat. range.....	-25°C to + 85°C
Storage temperat. range.....	-25°C to + 100°C
Lead soldering temp.	260°C for 5 seconds

ELECTRICAL / OPTICAL CHARACTERISTICS AT $T_a = 25^\circ \text{C}$

PART NUMBER	LED CHIP MATERIAL	LED CHIP EMITTING COLOR	LENS COLOR	PEAK WAVE LENG. 20mA(nm)	FORWARD VOLTAGE 20mA (V)		LUMINOUS INTENSITY 20mA (mcd)	VIEW ANGLE
					TYP	MAX		
OPL 105 R2D	GaAsP/GaP	RED	DIFFUSED	630	2.1	2.2	23	30
OPL 105 HR10C	GaAlAs/GaAs	RED	WATER CLEAR	660	1.8	2.0	550	15
OPL 105 SR10C	GaAlAs/GaAs	RED	WATER CLEAR	660	1.8	2.0	950	15
OPL 105 UR5C	GaAlAs/GaAlAs	RED	WATER CLEAR	660	2.1	2.5	2000	15
OPL 105 G4D	GaP/GaP	GREEN	DIFFUSED	570	2.2	2.5	15	30
OPL 105 HG4C	GaP/GaP	GREEN	WATER CLEAR	570	2.2	2.5	650	15
OPL 105 Y2D	GaAs/GaP	YELLOW	DIFFUSED	585	2.1	2.5	17	30
OPL 105 SY15C	AlGaInP	YELLOW	WATER CLEAR	585	2.0	2.2	1100	15

*SPECIFICATIONS ARE SUBJECT TO CHANGE

*THE PN s ABOVE MEANS STANDART VERSION, (COLOR DIFFUSED). WHEN SOME CHANGE BE NECESSARY, PLS PROCEED AS FOLLOW: D: DIFFUSED C: WATER CLEAR T: TRANSLUCENT W: WHITW DIFFUSED

NOTE: ALL DIMENSIONS ARE IN mm, TOLERANCE IS +/-0.25mm, UNLESS OTHERWISE NOTED.