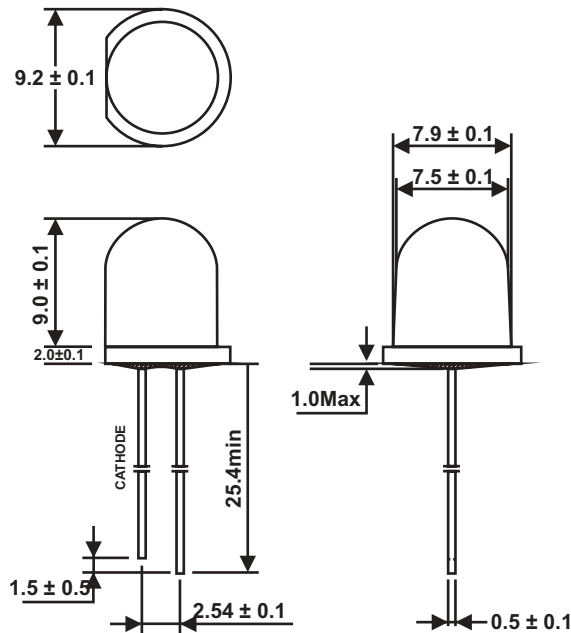


PACKAGE DIMENSIONS



ABSOLUTE MAXIMUM RATINGS, $T_a = 25^\circ\text{C}$

Reverse voltage per led chip.....	5.0 V
D.C Forward current	30 mA
Pulse current. (1.10 duty cycle , 0.1 ms pulse width).....	100mA
Operating temperat. range.....	-25°C to + 85°C
Storage temperat. range.....	-25°C to + 100°C
Lead soldering temp.	260°C for 5 seconds

ELECTRICAL / OPTICAL CHARACTERISTICS AT $T_a = 25^\circ\text{C}$

PART NUMBER	LED CHIP MATERIAL	LED CHIP EMITTING COLOR	LENS COLOR	PEAK WAVE LENG. 20mA(nm)	FORWARD VOLTAGE 20mA (V)		LUMINOUS INTENSITY 20mA (mcd)	VIEW ANGLE 2½ (deg)
					TYP	MAX		
OPL 185 R2D	GaAsP/GaP	RED	DIFFUSED	630	2.1	2.2	25	30
OPL 185 HR10C	GaAlAs/GaAs	RED	WATER CLEAR	660	1.8	2.0	550	15
OPL 185 SR10C	GaAlAs/GaAs	RED	WATER CLEAR	660	1.8	2.0	950	15
OPL 185 UR5C	GaAlAs/GaAs	RED	WATER CLEAR	660	2.1	2.5	1850	15
OPL 185 G4D	GaP/GaP	GREEN	DIFFUSED	570	2.2	2.5	20	30
OPL 185 HG4C	GaP/GaP	GREEN	WATER CLEAR	570	2.2	2.5	650	15
OPL 185 Y2D	GaAs/GaP	YELLOW	DIFFUSED	585	2.1	2.2	20	30
OPL 185 SY15C	AlGaInP	YELLOW	WATER CLEAR	585	2.0	2.2	110	15

*SPECIFICATIONS ARE SUBJECT TO CHANGE

*THE PN s ABOVE MEANS STANDART VERSION, (COLOR DIFFUSED). WHEN SOME CHANGE BE NECESSARY, PLS PROCEED AS FOLLOW: D: DIFFUSED C: WATER CLEAR T: TRANSLUCENT W: WHITW DIFFUSED

NOTE: ALL DIMENSIONS ARE IN mm, TOLERANCE IS +/-0.25mm, UNLESS OTHERWISE NOTED.