

### Part Number

- OPL 135O2/G4W

### Features

- White Diffused
- Viewing Angle: 45° / 45°
- Lighting color: Orange / Green

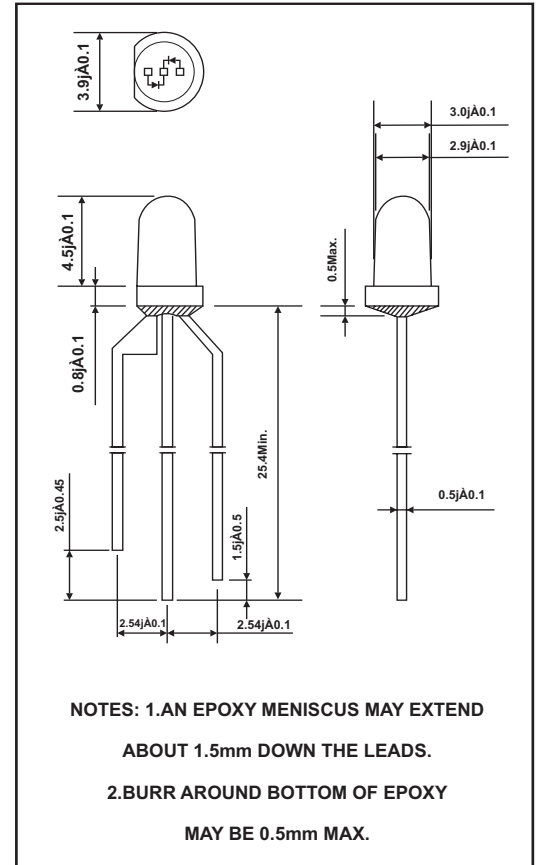
### ABSOLUTE MAXIMUM RATINGS, Ta = 25°C

ITEMS	Symbol	Value		Unit
		ORANGE	GREEN	
Power Dissipation	P <sub>D</sub>	100	120	mW
Forward Current	I <sub>F</sub>	30	30	mA
Peak Forward Current*	I <sub>FP</sub>	200	120	mA
Reverse Voltage	V <sub>R</sub>	5	5	V
Operation Temperature	T <sub>opr</sub>	-25 ~ 80	-25 ~ 80	C°
Storage Temperature	T <sub>stg</sub>	-40 ~ 100	-40 ~ 100	C°
Lead Soldering Temperature	T <sub>sol</sub>	260°C/3s	260°C/3s	—

\*pulse width ≤0.1 msec duty ≤1/10

### Dimensions

(Unit:mm)



### ELECTRICAL/OPTICAL CHARACTERISTICS AT Ta=25°C

Part Number		Wavelength (nm)			Forward Voltage IF=20mA (V)			Reverse Current VR=5V (uA)	Luminous Intensity IF=20mA (mcd)	
		λ <sub>p</sub>	λ <sub>D</sub>	Δλ	MIN.	TYPE	MAX.	MAX.	MIN.	TYPE
OPL135O2/G4W	ORANGE	632	622	20	----	2.05	2.6	30	30	40
	GREEN	568	573	30	1.7	2.05	2.6	30	40	50