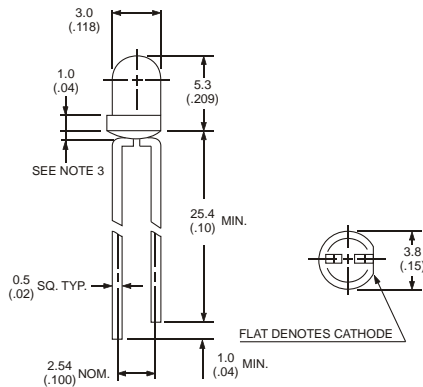


PACKAGE DIMENSIONS



ABSOLUTE MAXIMUM RATINGS, $T_a = 25^\circ\text{C}$

| | |
|---|---------------------|
| Reverse voltage per led chip..... | 5.0 V |
| D.C Forward current | 30 mA |
| Pulse current. (1.10 duty cycle , 0.1 ms pulse width)..... | 100mA |
| Operating temperat. range..... | -25°C to + 85°C |
| Storage temperat. range..... | -25°C to + 100°C |
| Lead soldering temp. | 260°C for 5 seconds |

ELECTRICAL / OPTICAL CHARACTERISTICS AT $T_a = 25^\circ\text{C}$

| PART NUMBER | LED CHIP MATERIAL | LED CHIP EMITTING COLOR | LENS COLOR | PEAK WAVE LENG. 20mA(nm) | FORWARD VOLTAGE 20mA (V) TYP - MAX | | LUMINOUS INTENSITY 20mA (mcd) MIN TYP | | VIEW ANGLE |
|---------------|-------------------|-------------------------|----------------|--------------------------|------------------------------------|-----|---------------------------------------|------|------------|
| | | | | | | | | | |
| OPL 135 R1D | GaP | RED | DIFFUSED | 700 | 2.2 | 2.6 | 3.5 | 4.0 | 40° |
| OPL 135 HR10D | GaAlAs/GaAs | RED | DIFFUSED | 655 | 2.1 | 2.5 | 20 | 25 | 40° |
| OPL 135 HR10C | GaAlAs/GaAs | RED | WATER CLEAR | 655 | 1.8 | 2.0 | 300 | 400 | 35° |
| OPL 135 SR10D | GaAlAs/GaAs | RED | DIFFUSED | 660 | 1.8 | 2.0 | 100 | 150 | 40° |
| OPL 135 SR10C | GaAlAs/GaAs | RED | WATER CLEAR | 660 | 1.8 | 2.0 | 400 | 460 | 35° |
| OPL 135 UR10D | GaAlAs/GaAs | RED | DIFFUSED | 660 | 2.1 | 2.5 | 300 | 400 | 40° |
| OPL 135 UR10C | GaAlAs/GaAs | RED | WATER CLEAR | 660 | 2.1 | 2.5 | 1000 | 1100 | 35° |
| OPL 135 G1D | GaP/GaP | GREEN | DIFFUSED | 570 | 2.2 | 2.6 | 15 | 17 | 40° |
| OPL 135 HG1T | GaP/GaP | HI GREEN | GREEN TRANSP. | 568 | 2.25 | 2.6 | 80 | 130 | 30° |
| OPL 135 SG04C | GaP/GaP | SUPER GREEN | WATER CLEAR | 570 | 2.25 | 2.6 | 150 | 250 | 30° |
| OPL 135 Y2D | GaAsP/GaP | YELLOW | DIFFUSED | 585 | 2.1 | 2.6 | 15 | 17 | 40° |
| OPL 135 SY2C | GaAsP/GaP | SUPER YELLOW | WATER CLEAR | 591 | 2.0 | 2.4 | 1500 | 2500 | 30° |
| OPL 135 HY2T | GaAsP/GaP | HI YELLOW | YELLOW TRANSP. | 589 | 2.25 | 2.6 | 30 | 50 | 30° |
| OPL 135 UY2T | GaAsP/GaP | ULTRA YELLOW | YELLOW TRANSP. | 591 | 2.0 | 2.4 | 1500 | 2500 | 30° |
| OPL 135 O2D | GaAsP/GaP | ORANGE | DIFFUSED | 630 | 2.0 | 2.8 | 20 | 25 | 40° |
| OPL 135 B13D | GaN/SiC | BLUE | DIFFUSED | 430 | 3.8 | 4.5 | 52 | 60 | 35° |
| OPL 135 B13T | GaN/SiC | BLUE | TRANSP. | 430 | 3.8 | 4.5 | 120 | 150 | 25° |
| OPL 135 B13C | GaN/SiC | BLUE | WATER CLEAR | 430 | 3.8 | 4.5 | 120 | 150 | 25° |

*SPECIFICATIONS ARE SUBJECT TO CHANGE

*THE PN S ABOVE MEANS STANDART VERSION, (COLOR DIFFUSED). WHEN SOME CHANGE BE NECESSARY, PLS PROCEED AS FOLLOW: D: DIFFUSED C: WATER CLEAR T: TRANSLUCENT W: WHITW DIFFUSED

NOTE: ALL DIMENSIONS ARE IN mm, TOLERANCE IS +/-0.25mm, UNLESS OTHERWISE NOTED.